

VRLA Deepcycle Battery

12V Series



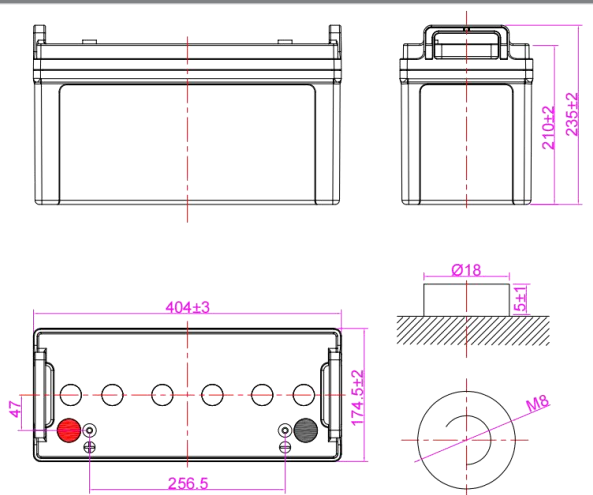
6-GFM-120G (12V120Ah)



Specifications

Nominal Voltage	12 V	
Nominal Capacity(C10)	120Ah(1.8V/cell@25°C)	
Dimensions	404*174.5*210/235(mm)	
Approx .Weight	34.9kg ±3%	
Internal Resistance	Approx.4.5mΩ@25°C	
Terminal	Φ18* M8	
Operating Temperature Range	Discharge: -20°C ~ 55°C (-4 ~ 104°F)	
	Charge: 0°C ~ 40°C (-4 ~ 104°F)	
	Storage: -20°C ~ 55°C (-4 ~ 122°F)	
Nominal Operating Temperature Range	25±3°C (77±5°F)	
Max. Charging Current	30.0A @25°C	
Charging voltage(25°C)	Float: 2 .25V ~ 2 .30V/cell	
	Temp.Coefficient: -3mV/°C	
	Equalization: 2 .40V ~ 2 .45V/cell	
	Temp.Coefficient: -4mV/°C	
	Cycle: 2 .40V~2 .45V/cell	
Effect of temperature to rated Capacity(C10)	40°C (104°F)	105%
	25°C (77°F)	100%
	0°C (32°F)	86%
Self Discharge	≤3%/month@ 25°C	
Casing material	ABS(UL94 HB or V-0 optional)	

Layout



Constant Current Discharge*(Amperes @25°C/77° F)

Time	10min	15min	30min	1h	2h	3h	4h	5h	8h	10h	20h
9.60V	236	193	139	83.8	49.2	34.7	26.9	22.1	14.5	12.7	6.90
10.20V	220	186	131	80.6	47.2	33.4	25.9	21.2	14.2	12.4	6.60
10.50V	197	162	125	77.4	45.3	32.0	24.8	20.3	13.9	12.2	6.50
10.80V	190	151	118	73.3	43.5	30.7	23.8	19.5	13.3	12.0	6.40
11.10V	183	140	105	64.5	38.3	27.4	21.5	17.5	12.8	11.5	6.20

Constant Power Discharge*(Watts/Unit @25°C/77° F)

Time	10min	15min	30min	1h	2h	3h	4h	5h	8h	10h	20h
9.60V	2553	2215	1553	947	555	392	304	249	166	145	81.4
10.20V	2410	2092	1508	927	543	383	297	242	164	143	77.9
10.50V	2155	1829	1449	898	525	372	287	235	162	141	77.0
10.80V	2025	1698	1373	858	509	359	276	228	156	140	76.2
11.10V	1898	1567	1235	761	452	323	253	208	152	136	74.1



VRLA Deepcycle Battery

12V Series



6-GFM-120G (12V120Ah)

General Features

- 12 years design life(25°C)
- Excellent consistency
- High reliability
- Low self -dischar
- Good recovery from deep discharge

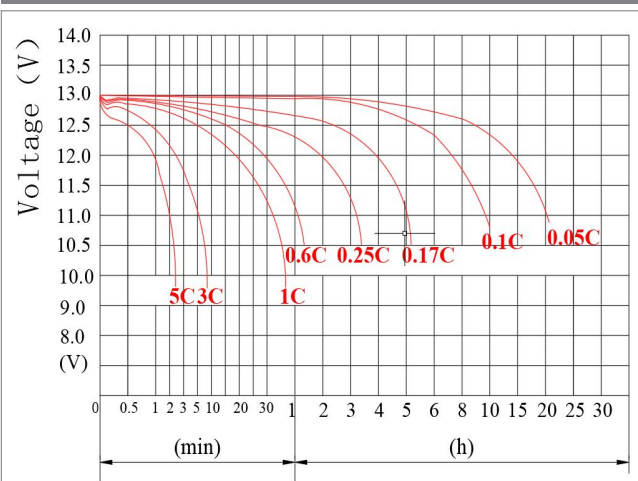
Applications

- Telecommunications
- UPS、Data Center
- Energy Storage、 Electric Systems
- Emergency Lighting、 Security
- Medical、 Electronic Equipment
- Motive Power

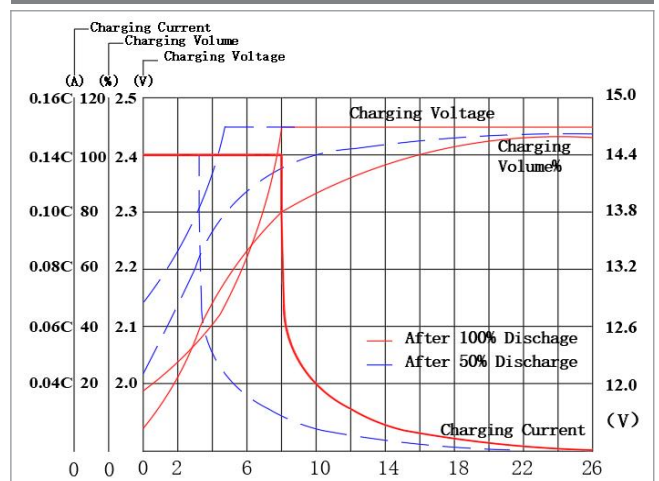
Standards

- Compliant with IEC60896, IEC61427, GB/T19638,YD/T1360-2015,YD/T799, DL/T637
- Certified for TLC, CE, RoHS and Reach compliance
- The company Aokly is certified under TS16949,OHSAS18001,SA8000, ISO9001, ISO14001,ISO45001 and ISO50001 management systems

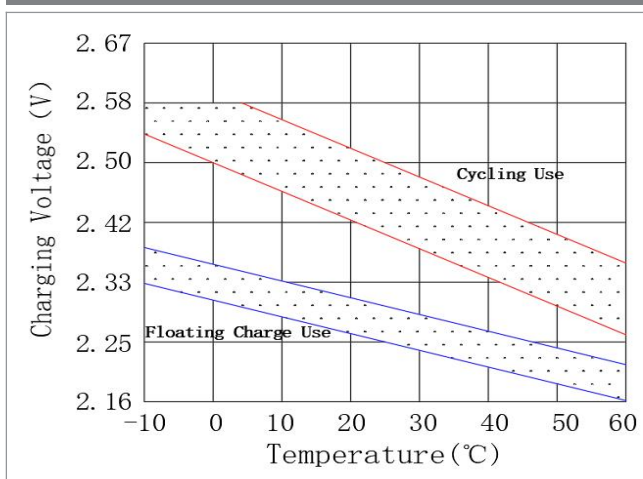
Discharge Characteristics(25°C)



Charging Characteristics(25°C)



Rel.The betweenTemp. and Charging Volt.



Capacity Retention Characteristics

